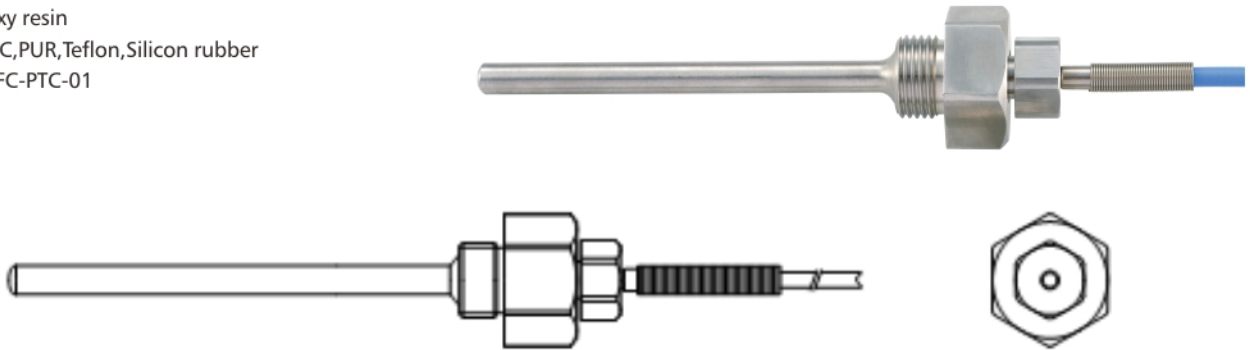


NTC FC-PTC-01 Platinum Resistance Temperature Probe

- Series: PT100/PT500/PT1000
- Class: 1/3B,A, B
- Nominal Resistance R0: 100Ω/500Ω/1000Ω
- Temperature coefficient: available on request
- Shell: Stainless steel
- Seal: Epoxy resin
- Cable: PVC,PUR,Teflon,Silicon rubber
- Part NO: FC-PTC-01



General information

Standard:	DIN EN 60751 (IEC751)
Resistance temperature range:	-70°C~+500°C
Response time :	water current (v=0.4m/s): t0.5 = 0.07s; t0.9 = 0.20s air stream (v= 2m/s): t0.5 = 3.2s t0.9 = 11s

Insulation resistance:	> 100MΩ at 20°C; > 2MΩ at 500°C
Withstand voltage:	1000VAC for 1 sec.
Self heating:	0.3K/mW at 0°C

Applications

- Tank boiler water temperature detection
- Temperature detection machine
- Medical device temperature detection
- Temperature detection, refrigerator heat converter